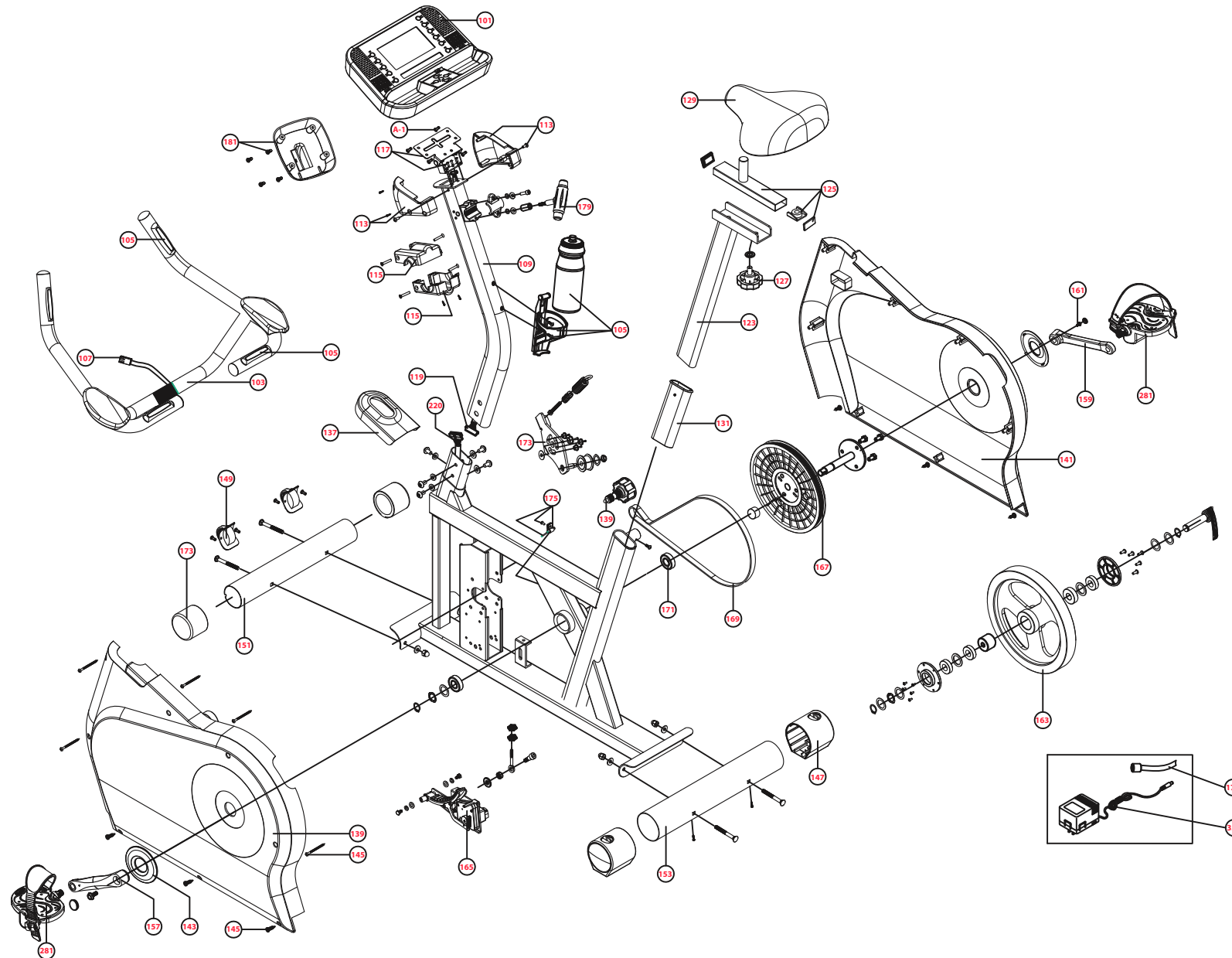


Diamondback 900Ub Upright Bike FitnessServe.com Price List

Copy the part number you want (in blue) and paste it into our search box on the home page.





Zoom In: CTRL +
Zoom Out: CTRL -
Find text & Numbers: CTRL F


101	22-90-101	Console Assembly
103	22-90-103	Handle Bar Assembly
105	22-50-105	HP Sensors
107	22-90-107	HP Wire Harness - Handle Bar
109	22-90-109	Console Mast
111	22-50-111	Water Bottle Set
113	22-90-113	Console Mount Covers
115	22-90-115	Handle Bar Covers
117	22-50-117	Console Mount
119	22-50-119	Main Wire Harness - Console Mast
123	22-90-123	Seat Post
125	22-50-125	Seat Slide Adjuster
127	22-90-127	Seat Slide Knob
129	22-90-129	Saddle
131	22-90-131	Seat Post Bushing
135	22-90-135	Seat Pin Assembly
137	22-90-137	Console Mast cover
139	22-50-139	Left Sidecase
141	22-50-141	Right Sidecase
143	22-50-143	Crank Insert
145	22-50-145	Main Sidecase Bolt Kit
147	22-90-147	Leveling Caps
149	22-90-149	Transport Wheels
151	22-90-151	Front Stabilizer
153	22-90-153	Rear Stabilizer
157	22-90-157	Left Crank Arm
159	22-90-159	Right Crank Arm
161	22-50-161	Crank Arm Hex Bolt
163	22-50-163	Flywheel
165	22-50-165	Brake Assembly
167	22-90-167	Drive Pulley
169	22-50-169	Drive Belt
171	22-90-171	BB Bearing Kit
173	22-50-173	Idler Assembly
173	22-90-173	Front Stabilizer Endcaps
175	22-50-175	Speed Sensor
177	22-90-177	Input Jack
179	22-50-179	Handle Bar Adjustment Knob & Hardware
181	22-50-181	Console Back Panel
220	22-50-220	Main Wire Harness - Frame
281	22-90-281	Pedals & Straps
354	22-09-354	AC Adapter
183	22-90-183	Assembly Hardware Kit
900	22-90-900	Owner's Manual


ADDING A PART TO YOUR SHOPPING CART:

Once you know your part number (e.g., 22-90-131), highlight it (left click and drag over it) and copy it (CTRL C), you may go back to our search box on our home page and enter or paste (CTRL V) the part number and hit return. Then proceed as you would ordering any other part on our site.


Use  the save button or "CTRL S" to save a copy of the schematic. Our schematics are password protected and copyrighted, so you won't be able to change them. We also regularly search the web to make sure no copies of our documents have been uploaded onto other sites.

You may do a word find by using the  button or go to edit and choose "Find on this page".

Click the Magnifying Glass Icon  or "CTRL+" to get a closer look at the document. Click the

DOWN ARROW Next to the Magnifying Glass Icon  and choose the ZOOM OUT TOOL

or use the "CTRL-" key combination to get an overview of the diagram.

Moving a PDF page with the hand tool  is like moving a piece of paper on a desk with your hand. Just hold down the left click of the mouse and drag the file around until you are positioned where you want to be - then let the left click go.

For an even more detailed explanation, click the companion link on the detailed description page.